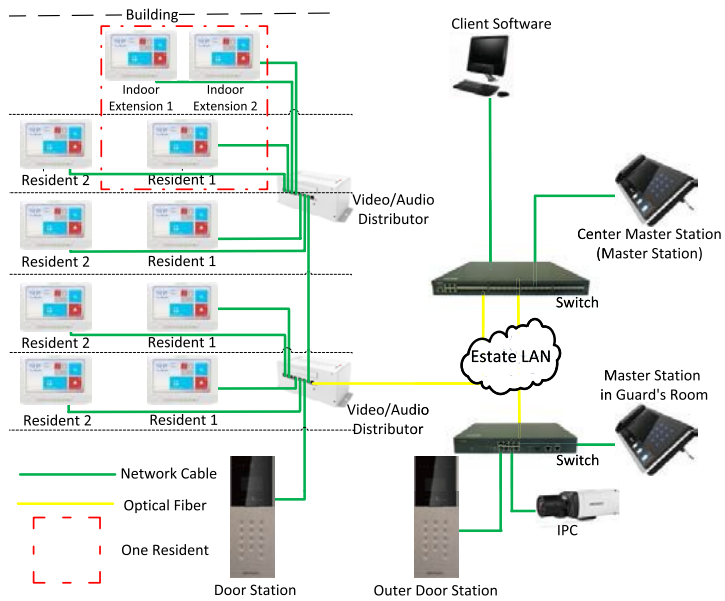


HIK-VDM4000T/WT

Indoor station



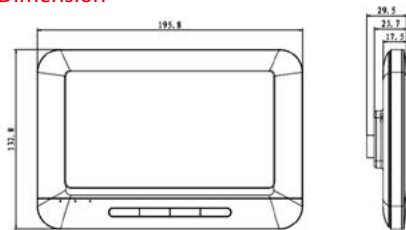
Key features

- Video intercom function
- Remote unlocking function
- Resident-to-resident audio call
- Live view of HD video
- Voice message function
- Auto-respond and no disturbing mode
- Noise suppression and echo cancellation
- 8-ch zone alarm and SOS calling function
- Community notice
- Convenient installation with the bracket, batch setting, upgrade via TF card, and power over video/audio distributor (HIK-606KAD; HIK-612KVD)

Available Models

HIK-VDM4000T; HIK-VDM4000WT

Dimension



| | HIK-VDM4000WT | HIK-VDM4000T |
|--|---|--------------|
| Video Intercom Indoor Station with 7-Inch Touch Screen | | |
| System Parameters | | |
| Processor | High-Performance Embedded SOC Processor | |
| Operation System | Embedded Linux Operation System | |
| Display Parameters | | |
| Display Screen | 7-Inch Colorful TFT LCD | |
| Display Resolution | 800 × 480 | |
| Operation Method | Capacitive Touch Screen, Physical Key | |
| Operation Interface | Flattened UI Operation Interface | |
| Audio Parameters | | |
| Audio Input | Built-in Omnidirectional Microphone | |
| Audio Output | Built-in Loudspeaker | |
| Audio Compression Standard | G.711 U | |
| Audio Compression Rate | 64 Kbps | |
| Audio Quality | Noise Suppression and Echo Cancellation Supported | |
| Network Parameters | | |
| Ethernet | 10M/100M Self-Adaptive Ethernet | |
| Wireless Internet | Wi-Fi 802.11 b/g/n | / |
| Network Protocol | TCP/IP, SNMP, SIP, RTSP | |
| Alarm Parameters | | |
| Alarm Input | 8-ch Alarm Input Sensor | |
| Device Interfaces | | |
| Network Access | 1 RJ45 10M/100M Self-Adaptive Ethernet Access | |
| RS485 | 1; RS-485 Half-Duplex | |
| I/O Output | 1 | |
| Other Parameters | | |
| Power Supply | 24 VDC, Power Over Network Cable (HIK-606KAD, HIK-612KVD)/12V | |
| Power Consumption | ≤10W | |
| Working Temperature | -10° C to +55° C (14° F to 131° F) | |
| Working Humidity | 10% - 90% | |
| Dimension (L x W x H) | 195.8 mm × 132.8 mm × 17.5 mm | |
| Certification | FCC, IC, CE, C-TICK, ROHS, REACH, WEEE | |